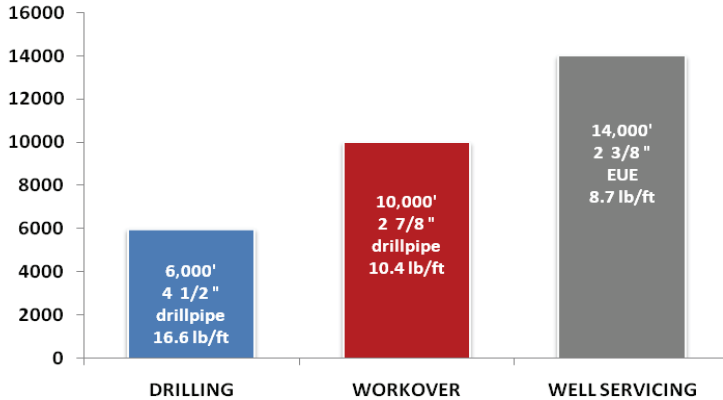




# LCI-350-C



## Drawworks Model 350/42-12, 38-8

### Main Drum

- > Demountable, forged steel brake rims are 42" diameter x 12" wide
- > Drum shaft diameter is 5 3/4"
- > Single line pull is 37,500 lbs.
- > 1" wire line size standard

### Sandline Drum

- > Demountable, forged steel brake rims are 38" diameter x 8" wide
- > Wireline capacity per AOSC approved formula:
  - 12,760' of 9/16"
  - 10,530' of 5/8"

### Drawworks Options

- > Drawworks Model 350/42-10, 38-8
- > Water splash brake cooling
- > Parmac Model 122 hydrobrake
- > LEBUS grooving standard on main drum - 1" diameter
- > Rotary drive attachment.
- > Crown block saver
- > Disc brake in lieu of Parmac Auxiliary brake
- > **Mast Model 96/225 (Double Tubing, Triple Rods per API 4F)**
- > Mast Options four leg fixed base design allows fast positioning of rig before mast is raised. Clear height is 96' below crown.
- > Static hook load capacity:
  - on 4 lines 175,000 lbs.
  - on 6 lines 225,000 lbs.
- > Crossover crown with 30" fast line sheave plus three 24" sheaves
- > All sheaves mounted on Timken double row bearings
- > Racking platform capacity 19,200' of 2 7/8" EUE tubing
- > Hydraulic rams for raising and telescoping

### Mast Options

- > Mast lights, rod hangers, work platform, standpipes, 24" sandline sheave
- > Optional Mast Model:
  - 104/225 available for 104' clear height
  - 96/225 twin box mast
  - 104/225 twin box mast

### Drive Train

- > Cat or Detroit Ser 60 (400 to 450 HP) Allison CLT 5961 six speed transmission (engine and transmission mounted in rubber on carrier for easy above-deck access)
- > Engine cover for weather protection

### Carrier

- > Four axle carrier for special weight conditions
- > Std. five axle carrier offered as required for heavy duty configurations
- > Front axles (rated at 22,000 lbs. each) have spring suspension
- > Rear tandem axles (rated at 50,000 lbs. total) have walking beam suspension

### Carrier Options

- > Two powered front steering axles are optional for use in rough or muddy terrain
- > Third (non-driving) rear axle with air bag lift suspension is rated at 25,000 lbs. capacity
- > Trailer models are available with either a single drop (gooseneck) or straight (rough terrain) design
- > Tool boxes, extra fuel tanks, spare tires, operator platforms can be supplied as needed

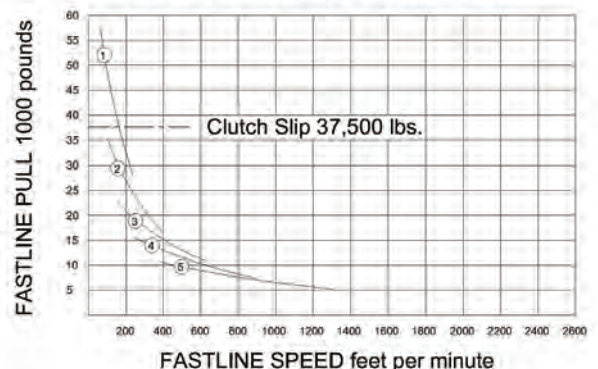
### Controls and Hydraulic System

- > The console panel for all leveling jacks, mast raising and extending cyl., engine, transmission and main drum located at one position for simple, quick rig-up. Operator's console can be provided movable to 10'-6", 12', or 14' as required.
- > 50 gpm hydraulic pump for all rig hydraulics and tong operation
- > Filters provided on pressure and return lines

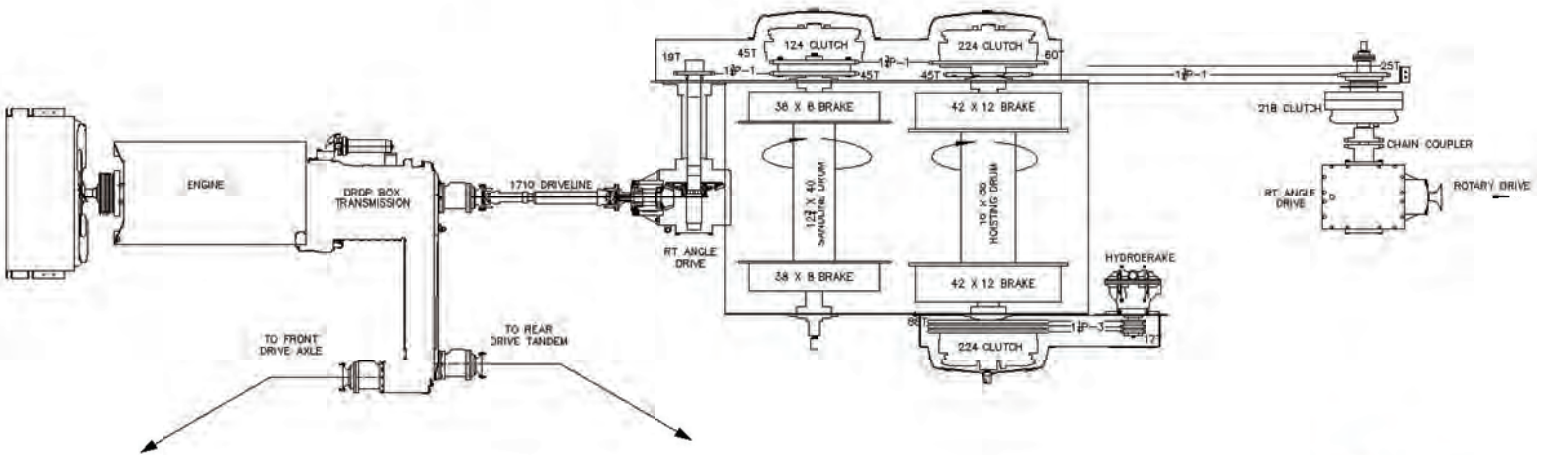
### Options

- > 70 gpm hydraulic pump (hydraulic oil cooler for continuous use and hot climate applications)
- > Single or dual 8,000 lbs. hyd. catline winch located at rear of rig
- > Hydraulic catworks for precise control of make-up and break-out torques
- > Cold weather packages for -40° operation
- > Folding platforms off operator side of rig
- > Spare line spool on rig
- > Mast lite package
- > Rig ramps and crossbase assembly.
- > Rig substructure assembly

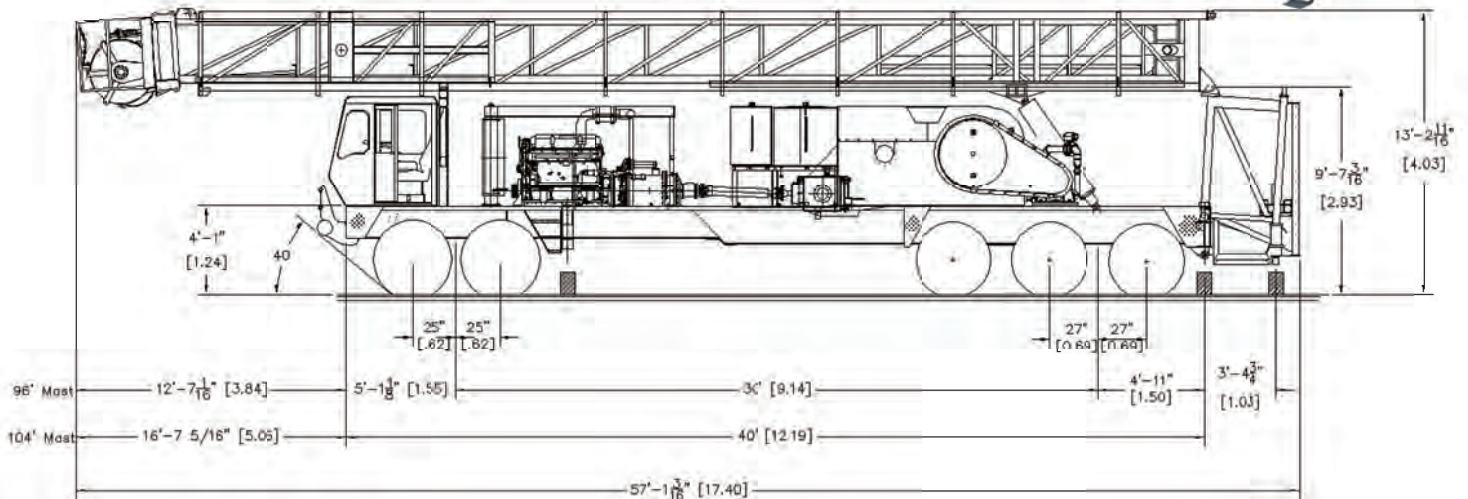
## Hoist Performance



## Power Flow Diagram



## Vehicle Layout





**LOADCRAFT INDUSTRIES, LTD.**  
LOADCRAFT  
Industries, Ltd.